

# Dsubminiature Accessories Catalog Correction

C-007 Rev F1

Dear Customer:

It is our goal to provide you with up-to-date product literature. In order to achieve this goal, we are supplying the attached pages.

These pages will update your **Dsubminiature Accessories** catalog to the new revision of **C-007 Rev F1**. It also will correct errors contained in our printed material and/or provide information about product expansion. These changes are indicated by ***bold italics and are underlined***. Please reference page numbers at bottom of each page for proper placement in the catalog.

If you would like to request additional printed copies, email your request to info@connectpositronic.com. Please indicate the catalog and revision level requested, along with your name, address, city, state/province, country, and postal code.

Also, updated PDF catalogs can be obtained by visiting our web site at [www.connectpositronic.com/catalogs/](http://www.connectpositronic.com/catalogs/).

**Please update your catalog accordingly.**

*We will make these corrections in the upcoming printing of this catalog. Contact us for any additional information at the location nearest you listed above.*

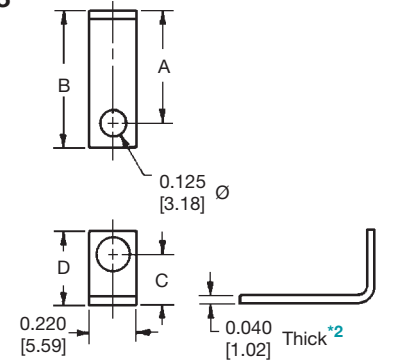
## RIGHT ANGLE (90°) METAL MOUNTING BRACKET SUPPLIED WITH RIVETED-ON BRACKET ASSEMBLIES CODE R, R2<sup>\*1</sup>, R3, R4, R5, R6<sup>\*1</sup>, R7<sup>\*1</sup>, AND R8<sup>\*1</sup>

| PART NO.   | A                | B                | C               | D                | SIZE  | MD | MDX | ED         | CBD       | CBDD | HDC | DD | PCD | ODD |
|------------|------------------|------------------|-----------------|------------------|-------|----|-----|------------|-----------|------|-----|----|-----|-----|
| A4535-1-1  | 0.506<br>[12.85] | 0.623<br>[15.82] | 0.246<br>[6.25] | 0.358<br>[9.09]  | 9-37  | 4  | 4   |            |           |      |     |    |     |     |
| A4535-2-1  | 0.339<br>[8.61]  | 0.456<br>[11.58] | 0.246<br>[6.25] | 0.358<br>[9.09]  | 9-37  | 5  | 5   |            | 5, 55, 57 |      | 5   |    | 5   |     |
| A4535-3-1  | 0.395<br>[10.03] | 0.512<br>[13.00] | 0.303<br>[7.70] | 0.414<br>[10.52] | 29    | 5  |     |            |           |      |     |    |     |     |
| A4535-4-1  | 0.562<br>[14.27] | 0.679<br>[17.25] | 0.303<br>[7.70] | 0.414<br>[10.52] | 29    | 4  |     |            |           |      |     |    |     |     |
| A4535-5-1  | 0.601<br>[15.27] | 0.718<br>[18.24] | 0.246<br>[6.25] | 0.358<br>[9.09]  | 9-37  | 59 |     |            |           |      | 59  |    |     |     |
| A4535-6-1  | 0.657<br>[16.69] | 0.774<br>[19.66] | 0.303<br>[7.70] | 0.414<br>[10.52] | 29    | 59 |     |            |           |      | 59  |    |     |     |
| A4535-8-1  | 0.420<br>[10.67] | 0.537<br>[13.64] | 0.246<br>[6.25] | 0.358<br>[9.09]  | 9-37  |    |     | 42, 44, 52 | 7, 75, 77 |      | 42  |    |     |     |
| A4535-9-1  | 0.470<br>[11.94] | 0.587<br>[14.91] | 0.303<br>[7.70] | 0.414<br>[10.52] | 29    |    |     | 42, 44, 52 | 7, 75, 77 |      | 42  |    |     |     |
| A4535-32-1 | 0.414<br>[10.52] | 0.531<br>[13.49] | 0.246<br>[6.25] | 0.358<br>[9.09]  | 15-62 |    |     |            |           | 4    |     |    |     | 4   |
| A4535-33-1 | 0.414<br>[10.52] | 0.531<br>[13.49] | 0.303<br>[7.70] | 0.414<br>[10.52] | 78    |    |     |            |           | 4    |     |    |     | 4   |
| A4535-34-1 | 0.528<br>[13.41] | 0.645<br>[16.38] | 0.246<br>[6.25] | 0.358<br>[9.09]  | 15-62 |    |     |            |           | 5    |     | 4  |     | 5   |
| A4535-35-1 | 0.573<br>[14.55] | 0.690<br>[17.53] | 0.303<br>[7.70] | 0.414<br>[10.52] | 78    |    |     |            |           | 5    |     | 4  |     | 5   |
| A4535-61-1 | 0.514<br>[13.06] | 0.631<br>[16.03] | 0.334<br>[8.48] | 0.457<br>[11.61] | 104   |    |     |            |           |      |     |    |     | 4   |
| A4535-62-1 | 0.614<br>[15.60] | 0.731<br>[18.57] | 0.334<br>[8.48] | 0.445<br>[11.30] | 104   |    |     |            |           | 5    |     | 4  |     | 5   |

**NOTE:** Sold only as part of a connector assembly.  
Any bracket shown can be supplied in non-standard configurations. Consult Technical Sales.

**NOTES:**

- \*1 Alignment bar is supplied with R2, R6, R7 and R8 options only.
- \*2 0.062 [1.57] thick for size 104 DD & ODD series and CBD46W4 variant.



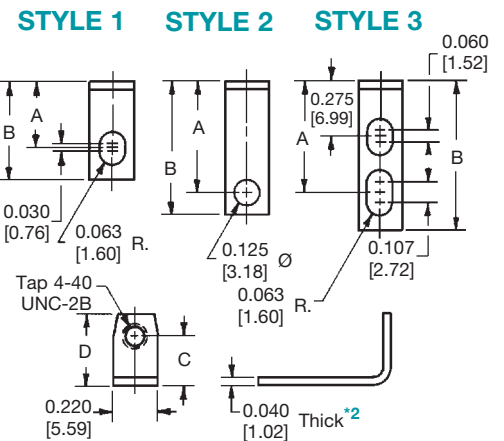
**Material:** Brass with zinc plate and chromate seal, or tin plate; stainless steel, passivated.



## RIGHT ANGLE (90°) METAL MOUNTING BRACKET SECURED TO CONNECTOR WITH THREADED FASTENERS CODE B AND B3

| PART NO.   | STYLE | A                | B                | C               | D                | SIZE   | MD | MDX | ED         | CBD       | CBDD | HDC | DD | ODD |
|------------|-------|------------------|------------------|-----------------|------------------|--------|----|-----|------------|-----------|------|-----|----|-----|
| A4535-1-0  | 2     | 0.491<br>[12.47] | 0.608<br>[15.44] | 0.246<br>[6.25] | 0.358<br>[9.09]  | 9-37   | 4  | 4   |            |           |      |     |    |     |
| A4535-2-0  | 1     | 0.324<br>[8.23]  | 0.484<br>[12.29] | 0.244<br>[6.20] | 0.358<br>[9.09]  | 9-37   | 5  | 5   |            | 5, 55, 57 |      | 5   |    |     |
| A4535-3-0  | 1     | 0.380<br>[9.65]  | 0.594<br>[15.09] | 0.303<br>[7.70] | 0.417<br>[10.59] | 29     | 5  | 5   |            | 5, 55, 57 |      | 5   |    |     |
| A4535-4-0  | 2     | 0.547<br>[13.89] | 0.664<br>[16.87] | 0.303<br>[7.70] | 0.414<br>[10.52] | 29     | 4  |     |            |           |      |     |    |     |
| A4535-5-0  | 3     | 0.554<br>[14.07] | 0.739<br>[18.77] | 0.244<br>[6.20] | 0.358<br>[9.09]  | 9-37   | 59 |     |            |           |      | 4   | 5  |     |
| A4535-6-0  | 3     | 0.604<br>[15.34] | 0.800<br>[20.32] | 0.303<br>[7.70] | 0.417<br>[10.59] | 29, 50 | 59 |     |            |           |      | 4   | 5  |     |
| A4535-8-0  | 2     | 0.405<br>[10.29] | 0.522<br>[13.26] | 0.246<br>[6.25] | 0.358<br>[9.09]  | 9-37   |    |     | 42, 44, 52 | 7, 75, 77 |      | 42  |    |     |
| A4535-9-0  | 2     | 0.455<br>[11.56] | 0.572<br>[14.53] | 0.303<br>[7.70] | 0.414<br>[10.52] | 29     |    |     | 42, 44, 52 |           |      | 42  |    |     |
| A4535-32-0 | 2     | 0.399<br>[10.13] | 0.516<br>[13.11] | 0.246<br>[6.25] | 0.358<br>[9.09]  | 15-62  |    |     |            |           | 4    |     |    | 4   |
| A4535-33-0 | 2     | 0.399<br>[10.13] | 0.516<br>[13.11] | 0.303<br>[7.70] | 0.414<br>[10.52] | 78     |    |     |            |           | 4    |     |    | 4   |
| A4535-61-0 | 2     | 0.514<br>[13.06] | 0.631<br>[16.03] | 0.334<br>[8.48] | 0.457<br>[11.61] | 104    |    |     |            |           |      |     |    | 4   |
| A4535-62-0 | 2     | 0.614<br>[15.60] | 0.731<br>[18.57] | 0.334<br>[8.48] | 0.445<br>[11.30] | 104    |    |     |            |           |      |     | 4  | 5   |

**NOTE:** Sold only as part of a connector assembly.  
Any bracket shown can be supplied in non-standard configurations. Consult Technical Sales.



**Material:** Brass with zinc plate and chromate seal, or tin plate; stainless steel, passivated.

**NOTES:**

- \*1 Contact alignment bar is supplied with B3 option only.
- \*2 0.062 [1.57] thick for size 104 DD & ODD series and CBD46W4 variant.

**DIMENSIONS ARE IN INCHES [MILLIMETERS]. ALL DIMENSIONS ARE SUBJECT TO CHANGE.**



Positronic  
connectpositronic.com

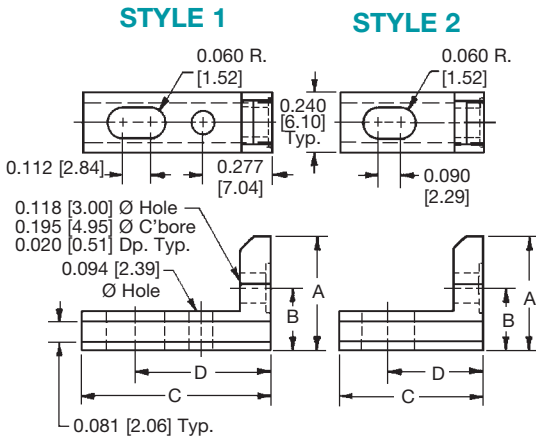
# MOUNTING BRACKETS

D-Sub  
Accessories

## RIGHT ANGLE (90°) PLASTIC MOUNTING BRACKET SECURED TO CONNECTOR WITH THREADED FASTENERS CODE B7 AND B8<sup>\*1</sup>

### NOTE:

<sup>\*1</sup> Alignment bar supplied with B8 option.



Material: Nylon or polyester.

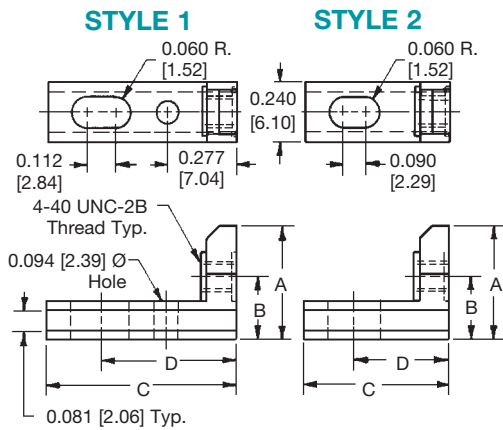
| PART NO.                  | STYLE | A                | B               | C                | D                | SIZE    | MD    | MDX | ED     | CBD                        | CBDD | HDC   | DD | ODD |
|---------------------------|-------|------------------|-----------------|------------------|------------------|---------|-------|-----|--------|----------------------------|------|-------|----|-----|
| <a href="#">A4544-6-0</a> | 1     | 0.450<br>[11.43] | 0.244<br>[6.20] | 0.740<br>[18.80] | 0.544<br>[13.82] | 9 - 37  | 4, 59 | 4   |        |                            |      |       |    |     |
| <a href="#">A4544-7-0</a> |       | 0.565<br>[14.35] | 0.303<br>[7.70] | 0.790<br>[20.07] | 0.606<br>[15.39] | 15 - 62 |       |     |        |                            |      |       | 4  | 5   |
| <a href="#">A4544-8-0</a> |       | 0.450<br>[11.43] | 0.244<br>[6.20] | 0.580<br>[14.73] | 0.384<br>[9.75]  | 9 - 37  | 5     | 5   | 42, 52 | 5, 55,<br>57, 7,<br>75, 77 | 4    | 42, 5 |    | 4   |
| <a href="#">A4544-9-0</a> | 2     | 0.565<br>[14.35] | 0.303<br>[7.70] | 0.620<br>[15.75] | 0.440<br>[11.18] | 29      | 5     |     | 42, 52 |                            |      |       |    |     |
|                           |       | 0.450<br>[11.43] | 0.244<br>[6.20] | 0.580<br>[14.73] | 0.384<br>[9.75]  | 50      | 5     | 5   | 42, 52 | 5, 55,<br>57, 7,<br>75, 77 | 4    | 42, 5 |    | 4   |

NOTE: Sold only as part of a connector assembly.  
Any bracket shown can be supplied in non-standard configurations. Consult Technical Sales.

## RIGHT ANGLE (90°) PLASTIC MOUNTING BRACKET WITH THREADED INSERT SECURED TO CONNECTOR WITH THREADED FASTENERS CODE B9 AND B10<sup>\*1</sup>

### NOTE:

<sup>\*1</sup> Alignment bar supplied with B10 option.



Material: Nylon or polyester.

| PART NO.                  | STYLE | A                | B               | C                | D                | SIZE    | MD    | MDX | ED     | CBD                        | CBDD | HDC    | DD | ODD |
|---------------------------|-------|------------------|-----------------|------------------|------------------|---------|-------|-----|--------|----------------------------|------|--------|----|-----|
| <a href="#">A4544-6-1</a> | 1     | 0.450<br>[11.43] | 0.244<br>[6.20] | 0.740<br>[18.80] | 0.544<br>[13.82] | 9 - 37  | 4, 59 | 4   |        |                            |      |        |    |     |
| <a href="#">A4544-7-1</a> |       | 0.565<br>[14.35] | 0.303<br>[7.70] | 0.790<br>[20.07] | 0.606<br>[15.39] | 15 - 62 |       |     |        |                            |      |        | 4  | 5   |
| <a href="#">A4544-8-1</a> |       | 0.450<br>[11.43] | 0.244<br>[6.20] | 0.580<br>[14.73] | 0.384<br>[9.75]  | 9 - 37  | 5     | 5   | 42, 52 | 5, 55,<br>57, 7,<br>75, 77 | 4    | 42, 5  |    | 4   |
| <a href="#">A4544-9-1</a> | 2     | 0.565<br>[14.35] | 0.303<br>[7.70] | 0.620<br>[15.75] | 0.440<br>[11.18] | 29      | 5     |     | 42, 52 |                            |      |        |    |     |
|                           |       | 0.450<br>[11.43] | 0.244<br>[6.20] | 0.580<br>[14.73] | 0.384<br>[9.75]  | 50      | 5     | 5   | 42, 52 | 5, 55,<br>57, 7,<br>75, 77 | 4    | 42, 52 |    | 4   |

NOTE: Sold only as part of a connector assembly.  
Any bracket shown can be supplied in non-standard configurations. Consult Technical Sales.

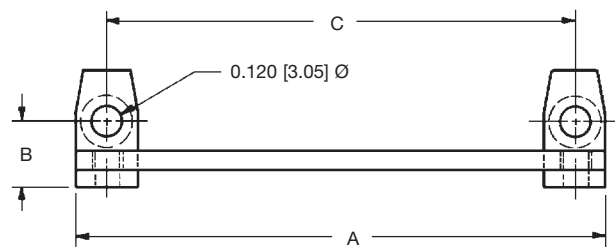
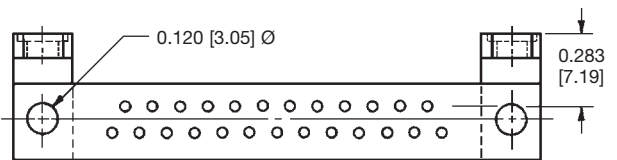
## RIGHT ANGLE (90°) PLASTIC MOUNTING BRACKET WITH ALIGNMENT BAR SUPPLIED WITH STANDARD DENSITY MIL-DTL-24308/23 AND /24 CONNECTORS

| PART NO.                   | A                | B               | C                |
|----------------------------|------------------|-----------------|------------------|
| <a href="#">A4544-11-1</a> | 1.218<br>[30.94] | 0.247<br>[6.27] | 0.980<br>[24.89] |
| <a href="#">A4544-11-2</a> | 1.546<br>[39.27] | 0.247<br>[6.27] | 1.312<br>[33.32] |
| <a href="#">A4544-11-3</a> | 2.093<br>[53.16] | 0.247<br>[6.27] | 1.852<br>[47.04] |
| <a href="#">A4544-11-4</a> | 2.734<br>[69.44] | 0.247<br>[6.27] | 2.500<br>[63.50] |
| <a href="#">A4544-12-4</a> | 2.645<br>[67.18] | 0.303<br>[7.70] | 2.406<br>[61.11] |

NOTE: Sold only as part of a connector assembly.

Material: Nylon or polyester.

May be supplied on special order with the MD, MDX and HDC printed board mount connectors.



3 DIMENSIONS ARE IN INCHES [MILLIMETERS].  
ALL DIMENSIONS ARE SUBJECT TO CHANGE.

C-007 Rev F1



## CRIMP FERRULE SYSTEMS FOR USE WITH CODE G CABLE ADAPTERS (HOODS)

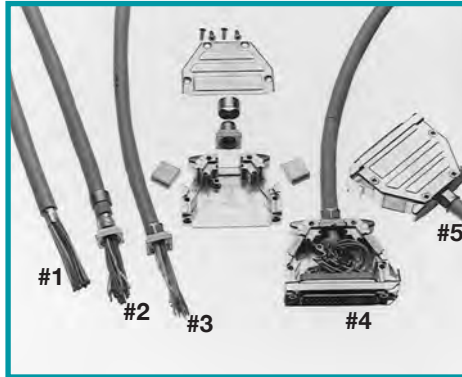
The crimp ferrule system can be used with all Positronic code "G" cable adapters and is recommended when maximizing EMI/RFI protection is desired.

The crimp ferrule system optimizes the transition of the cable shield into the cable adapter in three ways. First: It provides a low impedance connection of the cable shield to the cable adapter which remains constant over time. Second: The system provides an EMI/RFI tight cable exit point. Third: The system provides for high mechanical retention of the cable in the cable adapter.

Application of the crimp ferrule system is quite simple. Once the cable insulation and shield are cut to the correct dimensions (#1), the crimp ferrule is placed over the cable

and the crimp flange is inserted between the shield and the conductors (#2). The crimp ferrule is now slid over the cable insulation into position over the crimp flange and the crimp is made using Positronic-supplied hand press and die sets (#3). This assembly is then terminated to the connector and placed into the cable adapter (#4). Finally, the cover is placed on the cable adapter and secured using four (4) screws (#5).

To order the Positronic-supplied hand press, request part number 9520-0-0-0 or for hand crimp tool, request part number 9521-3-0-0. To order Positronic-supplied die sets, contact Technical Sales for ordering information, since die sets are customized based on the specific crimp flanges, crimp ferrules and cables used.



A crimp ferrule (left) and a crimp flange (right) shown above.

### CRIMP FERRULE / FLANGE ORDERING INFORMATION

| STEP                                                                   | 1              | 2                        | 3          | 4                                         |                               |
|------------------------------------------------------------------------|----------------|--------------------------|------------|-------------------------------------------|-------------------------------|
| TYPICAL PART NUMBERS                                                   | A4592<br>A4593 | ***<br>***               | ***<br>*** | 0<br>0                                    | CRIMP FERRULE<br>CRIMP FLANGE |
| STEP 1 - BASIC SERIES<br>A4592 - Crimp Ferrule<br>A4593 - Crimp Flange |                | STEP 2 & 3 - DIAMETERS*1 |            | STEP 4 - PLATING<br>0 - Standard plating. |                               |

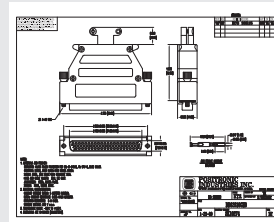
**NOTE:**

\*1 Contact Technical Sales for part number completion which is determined by Customer-required cable diameters and type.

Visit our website for the latest catalog updates and supplements at <http://www.connectpositronic.com/accessories/catalog>

## Do you need 2-D drawings or 3-D models?

Once you have made a connector selection, contact Technical Sales if you would like a 2-D drawing or 3-D model. If we do not have your specific part number on file, we can create one for you. Or, please visit [www.connectpositronic.com](http://www.connectpositronic.com) and use the search function.





Positronic  
connectpositronic.com

# CABLE ADAPTERS (hoods/backshells)

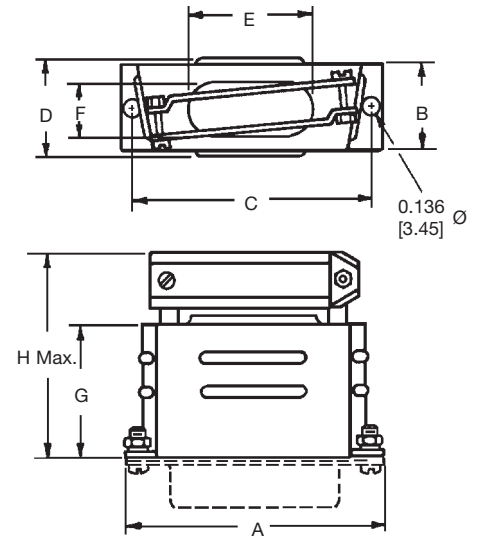
D-Sub  
Accessories

## METAL CABLE ADAPTER (HOOD) CODE H

**Material:** Steel, zinc plate with chromate seal.

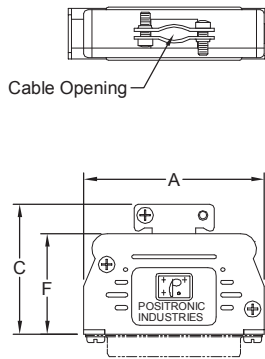
**NOTE:** Brass with gold plate finish is available for space applications. Contact Technical Sales for ordering information.

| PART NUMBER<br>(Shell Size)        | A                | B                | C                | D<br>MAX.        | E                | F                | G                | H<br>MAX.        |
|------------------------------------|------------------|------------------|------------------|------------------|------------------|------------------|------------------|------------------|
| <b>D15000H00</b><br>(Shell Size 2) | 1.531<br>[36.88] | 0.492<br>[12.50] | 1.312<br>[33.32] | 0.578<br>[14.68] | 0.713<br>[18.11] | 0.312<br>[7.92]  | 0.750<br>[19.05] | 1.219<br>[30.96] |
| <b>D25000H00</b><br>(Shell Size 3) | 2.078<br>[52.78] | 0.492<br>[12.50] | 1.852<br>[47.04] | 0.578<br>[14.68] | 1.000<br>[25.40] | 0.312<br>[7.92]  | 1.000<br>[25.40] | 1.532<br>[38.91] |
| <b>D37000H00</b><br>(Shell Size 4) | 2.718<br>[69.03] | 0.492<br>[12.50] | 2.500<br>[63.50] | 0.578<br>[14.68] | 1.375<br>[34.93] | 0.312<br>[7.92]  | 1.000<br>[25.40] | 1.532<br>[38.91] |
| <b>D50000H00</b><br>(Shell Size 5) | 2.625<br>[66.68] | 0.601<br>[15.27] | 2.406<br>[61.11] | 0.687<br>[17.45] | 1.406<br>[35.71] | 0.406<br>[10.31] | 1.125<br>[28.58] | 1.657<br>[42.09] |



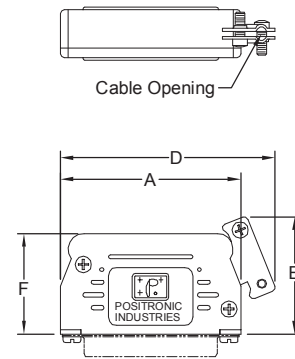
## PLASTIC CABLE ADAPTER (HOOD) CODE J AND L

**CODE J**  
TOP OPENING



Typically used  
with *Quick  
Disconnect  
Locking Device*,  
see page 28

**CODE L**  
SIDE OPENING



**Material:**

**Cable Adapter:** Glass-filled polyester,  
UL 94V-0.

**Cable Clamps:** Steel, nickel plate.



D25000LVLO

| PART NUMBER<br>(Shell Size)                          | A                | B                | C                | D                | E                | F                | CABLE OPENING                     |                                    |
|------------------------------------------------------|------------------|------------------|------------------|------------------|------------------|------------------|-----------------------------------|------------------------------------|
|                                                      |                  |                  |                  |                  |                  |                  | MINIMUM                           | MAXIMUM                            |
| <b>D9000J00</b><br><b>D9000L00</b><br>(Shell Size 1) | 1.262<br>[32.05] | 0.593<br>[15.06] | 1.130<br>[28.70] | 1.520<br>[38.61] | 1.030<br>[26.16] | 0.864<br>[21.95] | 0.145<br>[3.43] ∅                 | 0.280<br>[7.11] ∅                  |
| <b>D1500J00</b><br><b>D1500L00</b><br>(Shell Size 2) | 1.551<br>[39.40] | 0.621<br>[15.77] | 1.414<br>[35.92] | 1.900<br>[48.26] | 1.240<br>[31.50] | 1.022<br>[25.96] | 0.160<br>[4.06] ∅                 | 0.275<br>[6.99] ∅                  |
| <b>D2500J00</b><br><b>D2500L00</b><br>(Shell Size 3) | 2.129<br>[54.08] | 0.621<br>[15.77] | 1.533<br>[38.94] | 2.492<br>[63.30] | 1.380<br>[35.10] | 1.186<br>[30.12] | 0.110<br>[2.79] ∅                 | 0.275<br>[6.99] ∅                  |
| <b>D2900J00</b><br><b>D2900L00</b>                   | 1.801<br>[45.75] | 0.697<br>[17.70] | 1.537<br>[39.04] | 2.164<br>[54.97] | 1.390<br>[35.31] | 1.196<br>[30.38] | 0.110<br>[2.79] ∅                 | 0.390<br>[9.91] ∅                  |
| <b>D3700J00</b><br><b>D3700L00</b><br>(Shell Size 4) | 2.782<br>[70.66] | 0.621<br>[15.77] | 1.844<br>[46.84] | 3.188<br>[79.20] | 1.690<br>[42.93] | 1.506<br>[38.25] | 0.230 X 0.630<br>[5.84] X [16.00] | 0.350 X 0.630<br>[8.89] X [16.00]  |
| <b>D5000J00</b><br><b>D5000L00</b><br>(Shell Size 5) | 2.688<br>[68.28] | 0.733<br>[18.62] | 1.839<br>[46.71] | 3.015<br>[76.58] | 1.690<br>[42.93] | 1.504<br>[38.23] | 0.230 X 0.630<br>[5.84] X [16.00] | 0.430 X 0.630<br>[10.92] X [16.00] |

CABLE ADAPTERS



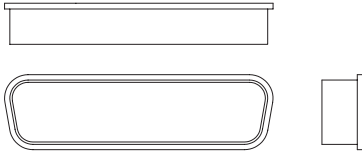


## PROTECTIVE COVER

SUPPLIED AS STANDARD WITH ALL WD AND WDD SERIES CONNECTORS

### COVER WITHOUT EARS

FOR CONNECTORS WITHOUT FIXED JACKSCREWS



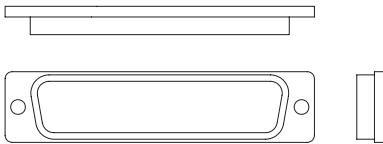
**Material:** Conductive polyethylene  
**Color:** Black

**Optional:**

**Material:** Static dissipative ethylene vinyl acetate  
**Color:** Pink

### COVER WITH EARS

FOR CONNECTORS WITH FIXED JACKSCREWS



**Material:** Conductive polyester  
**Color:** Black

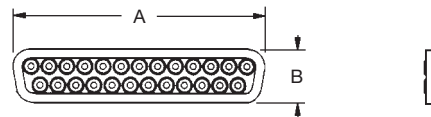
| SHELL SIZE | GENDER | CONDUCTIVE REPLACEMENT PART NUMBER WITHOUT EARS | STATIC DISSIPATIVE REPLACEMENT PART NUMBER WITHOUT EARS | REPLACEMENT PART NUMBER WITH EARS |
|------------|--------|-------------------------------------------------|---------------------------------------------------------|-----------------------------------|
| 1          | Male   | <a href="#">A4931-9-0-0</a>                     | <a href="#">A4931-9-1-0</a>                             | <a href="#">A4931-9-100-0</a>     |
|            | Female | <a href="#">A4932-9-0-0</a>                     | <a href="#">A4932-9-1-0</a>                             | <a href="#">A4932-9-100-0</a>     |
| 2          | Male   | <a href="#">A4931-15-0-0</a>                    | <a href="#">A4931-15-1-0</a>                            | <a href="#">A4931-15-100-0</a>    |
|            | Female | <a href="#">A4932-15-0-0</a>                    | <a href="#">A4932-15-1-0</a>                            | <a href="#">A4932-15-100-0</a>    |
| 3          | Male   | <a href="#">A4931-25-0-0</a>                    | <a href="#">A4931-25-1-0</a>                            | <a href="#">A4931-25-100-0</a>    |
|            | Female | <a href="#">A4932-25-0-0</a>                    | <a href="#">A4932-25-1-0</a>                            | <a href="#">A4932-25-100-0</a>    |
| 4          | Male   | <a href="#">A4931-37-0-0</a>                    | <a href="#">A4931-37-1-0</a>                            | <a href="#">A4931-37-100-0</a>    |
|            | Female | <a href="#">A4932-37-0-0</a>                    | <a href="#">A4932-37-1-0</a>                            | <a href="#">A4932-37-100-0</a>    |
| 5          | Male   | <a href="#">A4931-50-0-0</a>                    | <a href="#">A4931-50-1-0</a>                            | <a href="#">A4931-50-100-0</a>    |
|            | Female | <a href="#">A4932-50-0-0</a>                    | <a href="#">A4932-50-1-0</a>                            | <a href="#">A4932-50-100-0</a>    |
| 6          | Male   | ---                                             | ---                                                     | <a href="#">A4931-16-100-0</a>    |
|            | Female | ---                                             | ---                                                     | <a href="#">A4932-16-100-0</a>    |

## INTERFACIAL SEAL

AVAILABLE FOR MALE CONNECTORS ONLY

SUPPLIED AS STANDARD WITH ALL MALE WD AND WDD SERIES CONNECTORS

| CONNECTOR ARRANGEMENTS (SHELL SIZE) | A                | B                |
|-------------------------------------|------------------|------------------|
| 9 / 15<br>(Shell Size 1)            | 0.678<br>[17.22] | 0.338<br>[8.59]  |
| 15 / 26<br>(Shell Size 2)           | 1.002<br>[25.45] | 0.338<br>[8.59]  |
| 25 / 44<br>(Shell Size 3)           | 1.550<br>[39.37] | 0.338<br>[8.59]  |
| 37 / 62<br>(Shell Size 4)           | 2.189<br>[55.60] | 0.338<br>[8.59]  |
| 50 / 78<br>(Shell Size 5)           | 2.085<br>[52.96] | 0.446<br>[11.33] |



**CONTACT ARRANGEMENT SIZE 25  
INTERFACIAL SEAL**  
(SHOWN FOR REFERENCE ONLY)

**Material:** Thermoplastic Elastomer (TPE),  
Santoprene™ or equivalent.

**CONTACT TECHNICAL SALES  
FOR PART NUMBERS**